

1) Position sensor element, 2) see remarks, 3) see remarks, 4) see remarks



### Basic features

<b>Application</b>	Pneumatic cylinder with T-slot. For dimensions, see sketch in product view. Welding area
<b>Approval/Conformity</b>	CE UKCA cULus WEEE
<b>Basic standard</b>	IEC 60947-5-2
<b>Principle of operation</b>	Magnetic field sensor
<b>Scope of delivery</b>	Position sensor Protective cover Cable clip for T-slot Short guide

### Display/Operation

<b>Function indicator</b>	Active, LED yellow Error, LED red
<b>Power indicator</b>	External Power - LED green

### Electrical connection

<b>Cable</b>	Silicone welding spark resistant black, 300 mm
<b>Cable diameter D</b>	3.2 mm
<b>Conductor cross-section</b>	0.15 mm <sup>2</sup>
<b>Connection</b>	M8x1-Male, 3-pin, A-coded
<b>Number of conductors</b>	3
<b>Polarity reversal protected</b>	yes
<b>Protection against device mix-ups</b>	yes
<b>Short-circuit protection</b>	yes

### Electrical data

<b>Assured switching field strength Ha</b>	5.2 kA/m
<b>Interference suppression time</b>	600 ms
<b>Load capacitance max. at Ue</b>	1.5 µF
<b>No-load current I<sub>o</sub> max., undamped</b>	18 mA
<b>Operating voltage U<sub>b</sub></b>	10...30 VDC
<b>Output resistance R<sub>a</sub></b>	Open drain
<b>Rated insulation voltage U<sub>i</sub></b>	75 V DC
<b>Rated operating current I<sub>e</sub></b>	50 mA
<b>Rated operating voltage U<sub>e</sub> DC</b>	24 V
<b>Rated short circuit current</b>	100 A
<b>Rated switch field strength H<sub>n</sub></b>	4.8 kA/m
<b>Residual current I<sub>r</sub> max.</b>	10 µA
<b>Utilization category</b>	DC -13

Magnetic Sensors  
**BMF 415KW-HAPS-W-5-S0-S49-00,3**  
**Order Code: BMF00N6**



**Environmental conditions**

Ambient temperature	0...80 °C
Contamination scale	3
EN 60068-2-27, Shock	Half-sinus, 30 g <sub>n</sub> , 11 ms, 3x6 Half-sinus, 100 g <sub>n</sub> , 2 ms, 3x8000
EN 60068-2-6, Vibration	55 Hz, amplitude 2 mm, 3x30 min 10...2000 Hz, amplitude 2 mm pp, 30 g <sub>n</sub> , 120 sweeps
ESD	2A (4 kV)
Emission	Group 1, Class A
IP rating	IP67

**Functional safety**

MTTF (40 °C)	420 a
--------------	-------

**Interface**

Switching output	PNP normally open (NO)
------------------	------------------------

**Material**

Housing material	PA 12
Material jacket	Silicone, welding spark resistant
Material sensing surface	PA 12

**Mechanical data**

Dimension	5 x 6.4 x 34 mm
Mounting part	can be installed in T-slot from above
Size	T-slot

**Remarks**

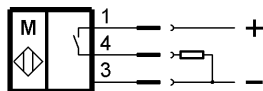
Damping magnet axially magnetized  
 Effective operating current I<sub>e</sub> with thermally coupled installation in metal.  
 Suitable for use in AC interference magnetic fields up to 140 mT / 110 kA/m with frequencies between 45 - 65 Hz  
 Suitable for use in MFDC interference magnetic fields up to 140 mT / 110 kA/m  
 For more information about MTTF and B10d see MTTF / B10d Certificate

Indication of the MTTF- / B10d value does not represent a binding composition and/or life expectancy assurance; these are simply experiential values with no warranty implications. These declared values also do not extend the expiration period for defect claims or affect it in any way.

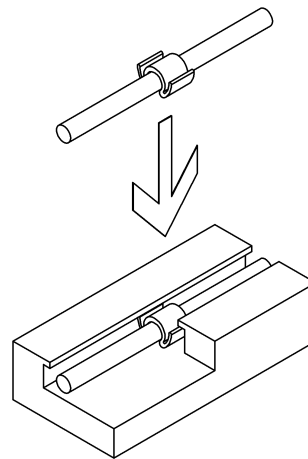
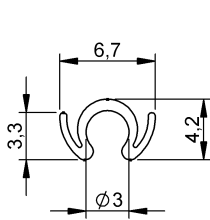
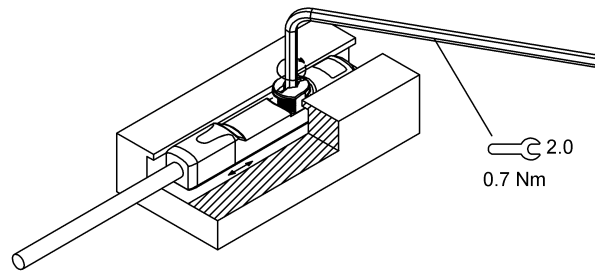
**Connector Drawings**



**Wiring Diagrams**

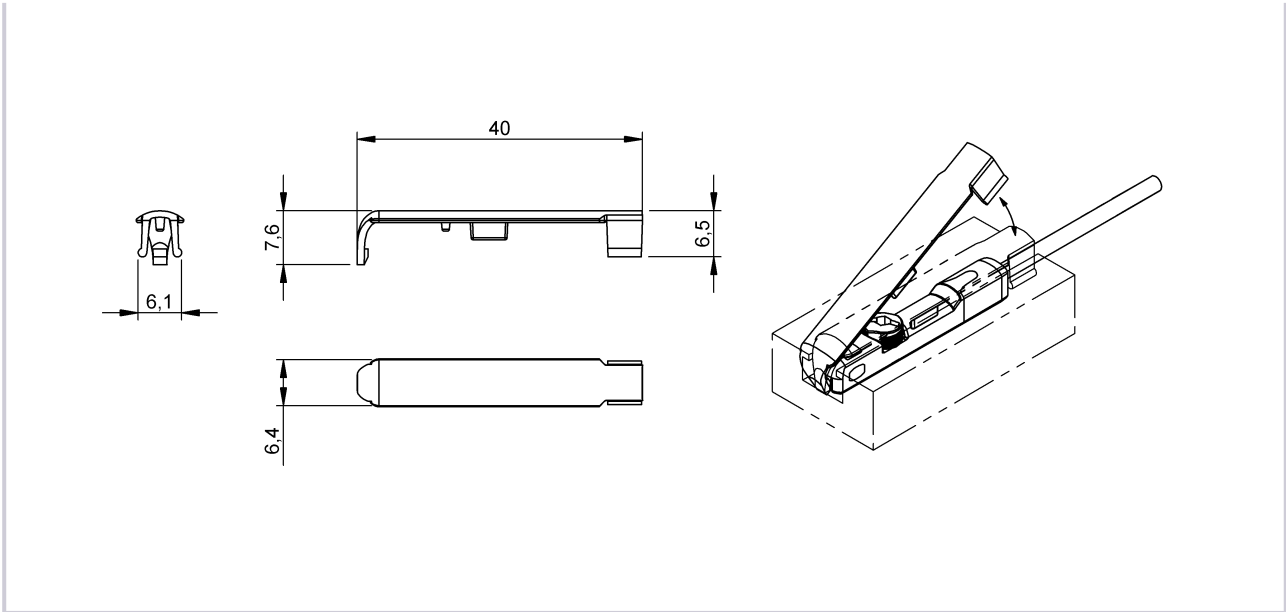


**Help Views**



Magnetic Sensors  
BMF 415KW-HAPS-W-5-S0-S49-00,3  
Order Code: BMF00N6

# BALLUFF



## Warning Symbols

